

# YUB-Ci52/YUB-Ci23 YUC-Ci62/YUC-Ci22

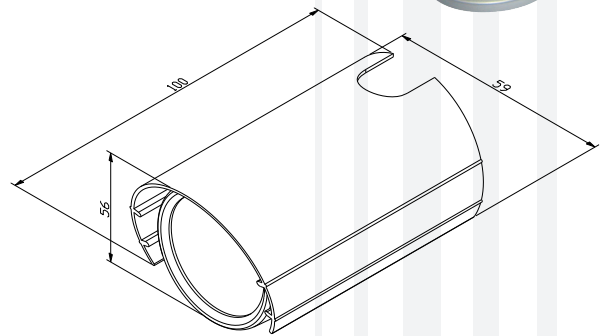


CCTV CAMERA .....

**1/3" OUTDOOR IR B/W CAMERA (MID-RES)**  
**1/3" OUTDOOR IR B/W CAMERA (HI-RES)**  
**1/3" OUTDOOR IR COLOR CAMERA (MID-RES)**



- ▶▶▶ 24-hour operational camera with perfect picture performance
- ▶▶▶ Build-in 12 IR LEDs for 10-15M range in the dark
- ▶▶▶ Unique looks for outdoor / indoor application
- ▶▶▶ Outdoor sunshield with camera, lens, bracket
- ▶▶▶ Water resistance of aluminum die-cast pass IP66
- ▶▶▶ Easy to install



Model No.	YUB-Ci52	YUB-Ci23	YUC-Ci62	YUC-Ci22
Image Sensor Device	1/3" B/W Samsung CCD	1/3" B/W Sony CCD	1/3" color Sharp CCD	1/3" color Sony CCD
Total Pixel Number	EIA: 510 x 492 CCIR: 500 x 582	EIA: 768 x 494 CCIR: 752 x 582	NTSC: 512 x 492 PAL: 512 x 582	NTSC: 510 x 492 PAL: 500 x 582
H. Sync Frequency	NTSC/EIA: 15.734KHz PAL/CCIR: 15.625KHz			
V. Sync Frequency	NTSC/EIA: 59.94Hz PAL/CCIR: 50Hz			
Synchronization System	Internal			
Horizontal Resolution	420TV Line	580TV Line	380TV Line	420 TV Line
Back Light Compensation (BLC)	Auto			
Electronic Shutter	Auto: NTSC/EIA 1/60 ~ 1/100,000 sec PAL /CCIR 1/50 ~ 1/100,000 sec			
Gain Control	Auto			
Gamma Correction	0.45			
S/N Ratio	More than 48dB (AGC off)			
Video Output	1.0Vpp 75 Ohms			
Minimum illumination	0 Lux	0 Lux	0 Lux	0 Lux
White Balance	---	---	Auto	
IR LED	12 UNITS 850nm Infrared Led for 10000hrs			
IR LED to project distance	10-15 meter			
Lens Standard	Standard: 4.3mm Option: 6.0mm/8.0mm/12.0mm			
Operation temperature	-10°C ~ +45°C			
Storage temperature	-30°C ~ +60°C			
Power requirement	DC12V (+/-10%)			
Power consumption	230mA(+/-10%)	240mA(+/-10%)	200mA(+/-10%)	220mA(+/-10%)
Dimension	59(W) x 56(H) x 100(D)mm			
Weight	400g			