

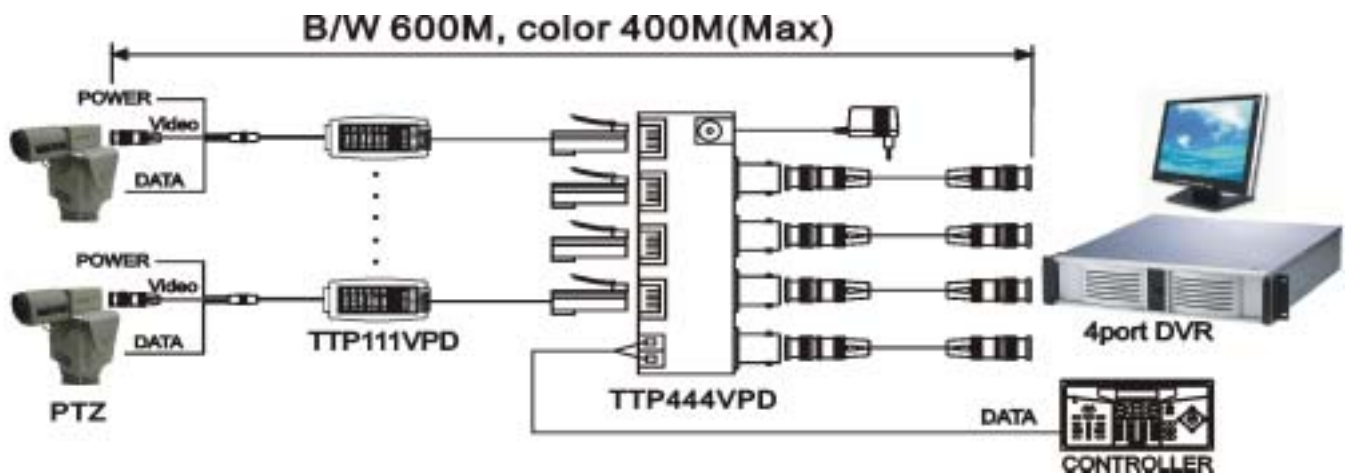
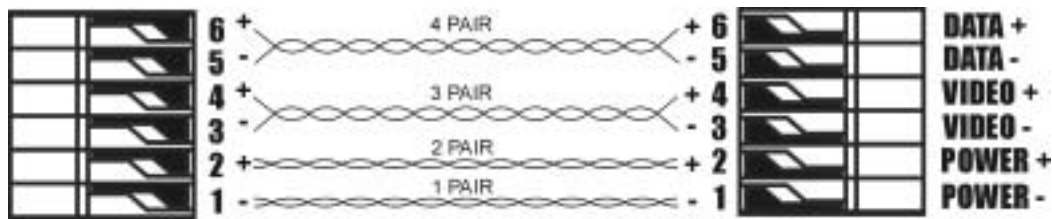
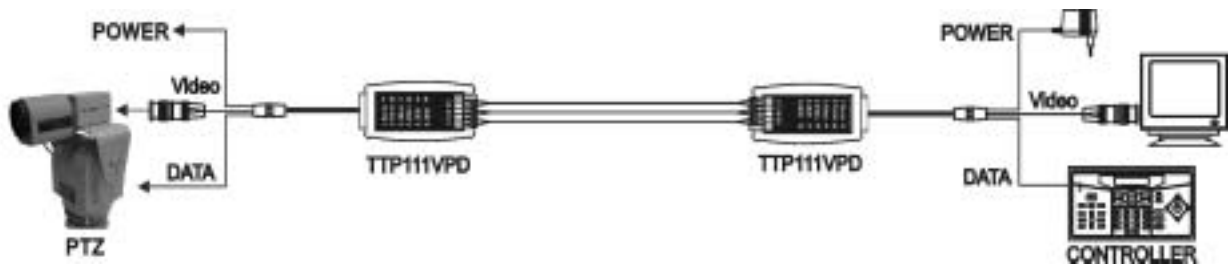
TWISTED PAIR TRANSMISSION SYSTEM

ITEM NO.: TTP111VPD, TTP444VPD VIDEO, POWER, DATA COMBINER

Features:

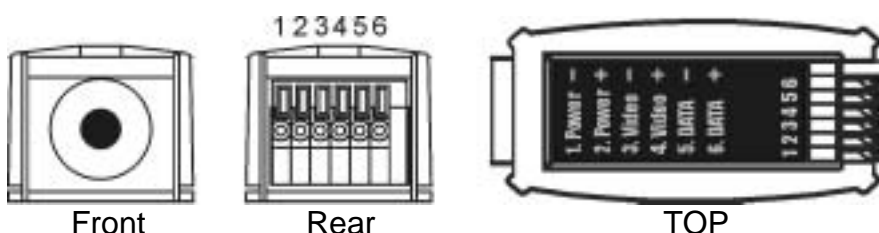
- TTP111VPD: Male BNC with 2 mini-coax pigtail to 6 “push pin” terminal.
- TTP444VPD: 4 x BNC female + DC power to 4 x RJ45 female + 2 pin terminal for DATA.
- Video, camera power, Data (RS422, 485) transmission over one standard CAT 5 cable.
- Built in PTC fuse for short protection.
- Application for color video signal up to 300 meters, B/W to 600 meters.
- Use with TTP111VPD, transmit 4 channels video, power, data over 4 CAT 5 cable.

Installation View:

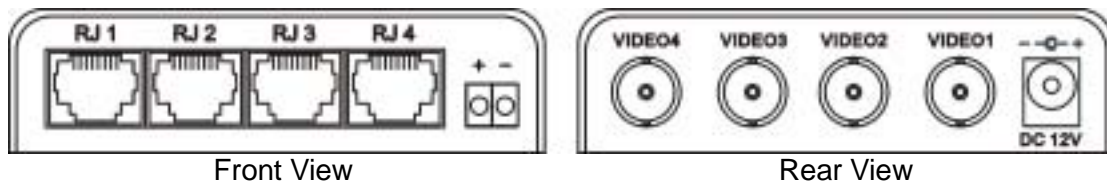


Panel View:

TTP111VPD



TTP444VPD



Specification:

ITEM NO.	TTP111VPD	TTP444VPD
VIDEO OUTPUT (BNC Connector)	1 (1V p-p, 75 Ohms)	4 (1V p-p, 75 Ohms)
VIDEO INPUT	Terminal	4 x RJ45
TRANSMISSION DISTANCE	600M(B/W), 400M(COLOR)	
DATA Connector	1	
CABLE	Twisted Pair CAT5 (AWG24)	
POWER	V	
DIMENSIONS W x H x D mm	69x25x20.5 with 25cm cable	138x66x28

Voltage Drop According to Cable Length (24AWG):

Voltage Range	DC15V											
	50M			100M			300M			600M		
Power Consumption	1 PAIR	2 PAIR	3 PAIR	1 PAIR	2 PAIR	3 PAIR	1 PAIR	2 PAIR	3 PAIR	1 PAIR	2 PAIR	3 PAIR
50mA	14.4	14.7	14.8	13.8	14.3	14.6	11.9	13.6	14	X	12	12.9
100mA	14	14.5	14.5	12.7	13.8	14.2	X	12.2	13.1	X	X	11.1
150mA	13.5	14.2	14.3	12	13.4	13.9	X	11.1	12.3	X	X	X
200mA	12.6	14	14.2	11.3	12.9	13.6	X	X	11.5	X	X	X
250mA	12.1	13.7	14	10.3	12.4	13.2	X	X	X	X	X	X
300mA	11.8	13.5	13.8	X	12	12.9	X	X	X	X	X	X
350mA	11.3	13.3	13.7	X	11.7	12.7	X	X	X	X	X	X
400mA	10.8	13	13.5	X	11.2	12.4	X	X	X	X	X	X
450mA	X	12.7	13.3	X	10.7	12.1	X	X	X	X	X	X
500mA	X	12.4	13.1	X	X	11.6	X	X	X	X	X	X

Voltage Range	DC24V											
	50M			100M			300M			600M		
Power Consumption	1 PAIR	2 PAIR	3 PAIR	1 PAIR	2 PAIR	3 PAIR	1 PAIR	2 PAIR	3 PAIR	1 PAIR	2 PAIR	3 PAIR
50mA	23.8	23.8	23.8	23	23.5	23.6	21	22.4	23	18.1	21.2	22.1
100mA	23.6	23.4	23.5	22.4	23.1	23.3	18.7	21.1	22.2	12.9	18.7	20.4
150mA	22.6	23.2	23.3	21.3	22.6	22.9	16.2	20	21.3	X	16.1	18.9
200mA	22.1	22.9	23.1	20.3	22	22.5	13.7	18.1	20.5	X	13.5	17.1
250mA	21.6	22.6	22.9	19.4	21.6	22.2	10.9	17.4	19.6	X	11.1	15.4
300mA	21.1	22.4	22.7	18.4	21.2	21.9	X	16.1	18.8	X	X	13.8
350mA	20.6	22.1	22.5	17.5	20.6	21.6	X	15	18.1	X	X	12.2
400mA	20.2	21.8	22.3	16.5	20.1	21.2	X	13.9	17.3	X	X	10.7
450mA	19.7	21.6	22.1	15.5	19.6	20.9	X	12.7	16.6	X	X	X
500mA	19.1	21.3	21.9	14.5	19.1	20.5	X	11.3	15.4	X	X	X