

IR WATER-RESISTANT CCD CAMERA

TC32RI 1/3" IR Color Camera (MID-RES)

TC34RI 1/3" IR Color Camera (HI-RES)

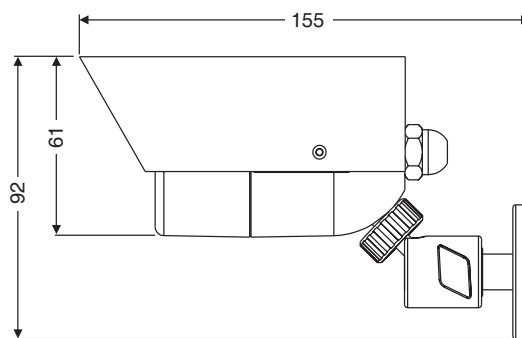
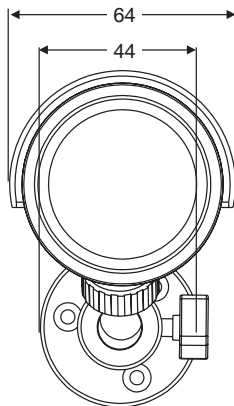
TB32RI 1/3" IR B/W Camera (MID-RES)

FEATURES



- ▶ High quality picture performance
- ▶ Unique looks for outdoor / indoor application
- ▶ Outdoor housing with camera, lens, bracket as a set
 - ▶ Auto-electronic shutter
 - ▶ Auto white balance for color camera
 - ▶ Water resistant of aluminum die-cast pass IP66 test
 - ▶ Automatic gain control (AGC)
- ▶ Easy to install

DIMENSION Unit: mm



SPECIFICATION

Model	TC32RI (MID-RES)	TC34RI (HI-RES)	TB32RI (MID-RES)
Image sensor device	1/3" color CCD sensor interline		1/3" B/W CCD sensor interline
Total pixel number	NTSC 512(H) x 492(V) PAL 512(H) x 582(V)	NTSC 771(H) x 492(V) PAL 753(H) x 582(V)	EIA 510(H) x 492(V) CCIR 500(H) x 582(V)
Scanning standard	2:1 Interlace NTSC standard 525 lines 30 frames/sec PAL standard 625 lines 25 frames/sec		2:1 Interlace EIA standard 525 lines, 30 frames/sec; CCIR standard 625 lines, 25 frames/sec
Synchronizing system	Internal		
Horizontal resolution	More than 330 TV lines	More than 460 TV lines	More than 420 TV lines
Electronic shutter control	Auto shutter, (1/60~1/100000) NTSC (1/50~1/100000) PAL		Auto Shutter, (1/60~1/100000) EIA (1/50~1/100000) CCIR
Gamma correction	0.45		
Minimum illumination	0.6 Lux/F1.2 IR on: 0 Lux	0.8 Lux/F 1.2 IR on: 0 Lux	0.1 Lux/F 2.0 IR ON: 0 Lux
Video output level	1Vp-p/75 Ohms, composite		
Video S/N ratio	48 dB (AGC off)		
White balance	Auto (2000°K~10000°K)		
Back light compensation	Auto		
Operating temperature	-10°C ~ 50°C		
Storage temperature	-30°C ~ 80°C		
Power requirement	DC12V ±10%		
Power consumption	Total : DC12V 200mA (Typical) Camera : DC12V 100mA (Typical) IR LED projecting lighter : DC12V 100mA (Typical)		Total : DC12V 250mA (Typical) Camera : DC12V 100mA (Typical) IR LED projecting lighter : DC12V 150mA (Typical)
Lens standard	6.0mm / F2.0	6.0mm / F2.0	6.0mm / F2.0
Projecting range of distance for IR LED lighter	About 10~15m, 55°~65°		
Dimensions	155 (L) X 64 (W) X 92 (H) mm		
Weight	450g		