

SMOKING DETECTOR HOUSING WITH BUILT-IN CAMERA

TC-5772SD 1/3" Color Camera (MID-RES)

TC-5773SD 1/3" Color Camera (HI-RES)

TC-2470SD 1/4" Color Camera (MID-RES)

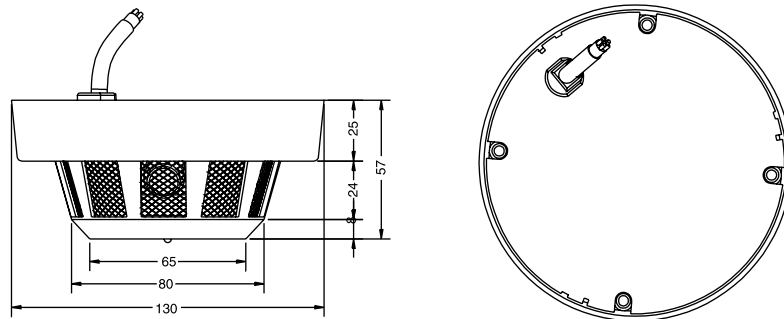
TC-2902SD 1/3" B/W Camera (MID-RES)

FEATURES



- ▶ For small simple monitoring application
- ▶ Internal synchronization
- ▶ Auto electronic shutter
- ▶ Smoke detector does not function
- ▶ Variety lens option
- ▶ Easy to install, easy to use

DIMENSION Unit: mm



SPECIFICATION

Model	TC-5772SD (MID-RES)	TC-5773SD (HI-RES)	TC-2470SD (MID-RES)	TC-2902SD(MID-RES)
Image device	1/3" Color CCD Sensor interline		1/4" Color CCD Sensor interline	1/3" B/W CCD Sensor interline
Effective Picture elements	NTSC 510(H) x 492(V) PAL 500(H) x 582(V)	NTSC 768(H) x 494(V) PAL 752(H) x 582(V)	NTSC/EIA 510(H) x 492(V) PAL/CCIR 500(H) x 582(V)	
Scanning system	NTSC / EIA standard 525 lines, 30 frames/sec PAL / CCIR standard 625 lines, 25 frames/sec			
	Internal			
Horizontal resolution	More than 330 TV Lines	More than 460 TV Lines	More than 330 TV Lines	More than 420 TV Lines
Electronic shutter control	Auto-Electronic shutter (1/60~1/100000) NTSC/ EIA (1/50~1/100000) PAL/CCIR			
Gamma	0.45			
Minimum illumination	1 Lux./F1.2	2 Lux./F1.2	0.6 Lux./F1.2	0.18 Lux./F2.0
Video output level	1Vp-p/75 Ω , composite			
Video S/N ratio	46dB (AGC OFF)		47dB (AGC OFF)	46dB (AGC OFF)
White balance	Auto-white balance (2000°K~10000°K)			--
Operating temperature	-10°C~ 50°C			
Storage temperature	-30°C~ 80°C			
Power requirement	DC 12V ± 1.2Vdc			
Power consumption	DC 12V 150mA		DC 12V Typical 98mA	DC 12V Typical 100mA
Dimensions	130(Ø) 57(H)mm			
Weight	140g			
Lens	STD.: 3.6mm OPTION: 2.9 / 4.3 / 6.0 / 8.0 / 12.0mm		STD.: 3.6mm F 3.0	STD.: 3.6mm OPTION: 2.9 / 4.3 /



TAIWAN REGULAR ELECTRONICS CO., LTD.

NO.115, Sec.1, Yang Tong Road, Long Tanf Hsiang, Tao Yuan Hsien, Taiwan R.O.C
 Tel : 886-3-471-9108 Fax : 886-3-471-9111,471-9112
 http : www.trc.com.tw E-mail : info@trc.com.tw