

WATER RESISTANT COLOR BULLET CAMERA

TC-3210 1/3" COLOR MID-RES BULLET CAMERA

TC-3410 1/3" COLOR HI-RES BULLET CAMERA

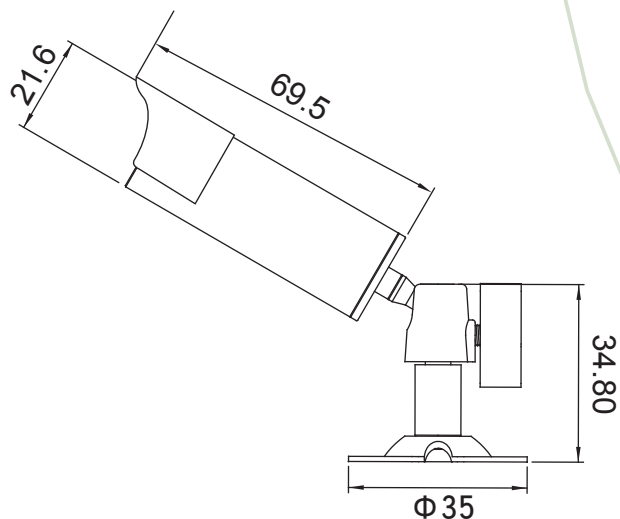
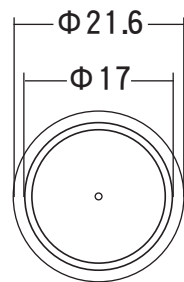
TB-3219 1/3" B/W MID-RES BULLET CAMERA



FEATURES

- Available for outdoor and indoor use
- Auto electronic shutter control
- Ultra compact size (21.6mm Φ)
- 4.0mm / 8.0mm / 16.0mm board lens options
- Easy to install
- Reverse polarity power input safety circuit built-in
- Camera with lens and bracket included as a set

DIMENSION Unit: mm



SPECIFICATION

Modle	TC-3210 (MID-RES)	TC-3410 (HI-RES)	TB-3219 (MID-RES)
Image sensor	1/3" COLOR CCD SENSOR INTERLINE		1/3" B/W CCD SENSOR INTERLINE
Picture elements	NTSC 512(H)X492(V) PAL 512 (H)X582(V)	NTSC 771(H)X492(V) PAL 753(H)X582(V)	EIA: 510(H) X 492(V) CCIR: 500(H) X 582(V)
Synchronizing system	Internal		
Scanning system	NTSC 525 line 30 frames PAL 625 line 25 frames		EIA 520 line 30 frames CCIR 625 line 25 frames
Video Output	1.0 Vp-p / 75 Ohms composite		
Gamma	0.45		
Electronic Shutter	Auto Electronic Shutter (1/60~1/100000 sec) NTSC, (1/50~1/100000 sec) PAL		Auto Electronic Shutter (1/60~1/100000 sec) EIA, (1/50~1/100000 sec) CCIR
Lens	Board Lens 4.0mm/F1.8		Board Lens 4mm/F1.8
Horizontal Resolution	More Than 320 TV Lines	More Than 460 TV Lines	More Than 420 TV Lines
S/N Ration	48db (AGC OFF)		46db (AGC OFF)
Minimum Illumination	1.0LUX / F1.2	2.0LUX / F1.2	0.5LUX / F2.0
Auto White Balance	2600°K~8400°K		-----
Power Supply	12V DC ±10% / 100mA		12V DC ±10% / 70mA
Operating Temp	-10°C~+50°C		
Storage Temp	-30°C~+80°C		
Dimension	21.6mm(φ) x 68mm(L)		20.2mm(φ) x 64mm(L)
Weight	110g		61g



TAIWAN REGULAR ELECTRONICS CO., LTD.

NO.115, Sec.1, Yang Tong Road, Long Tanf Hsiang, Tao Yuan Hsien, Taiwan R.O.C
 Tel : 886-3-471-9108 Fax : 886-3-471-9111,471-9112
 http : www.trc.com.tw E-mail : info@trc.com.tw